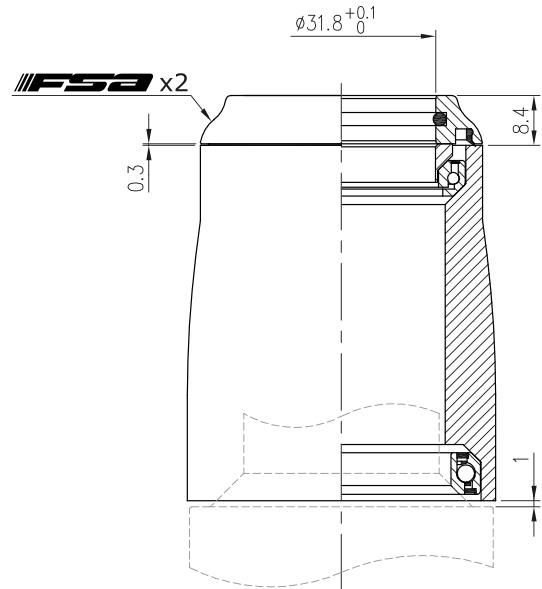
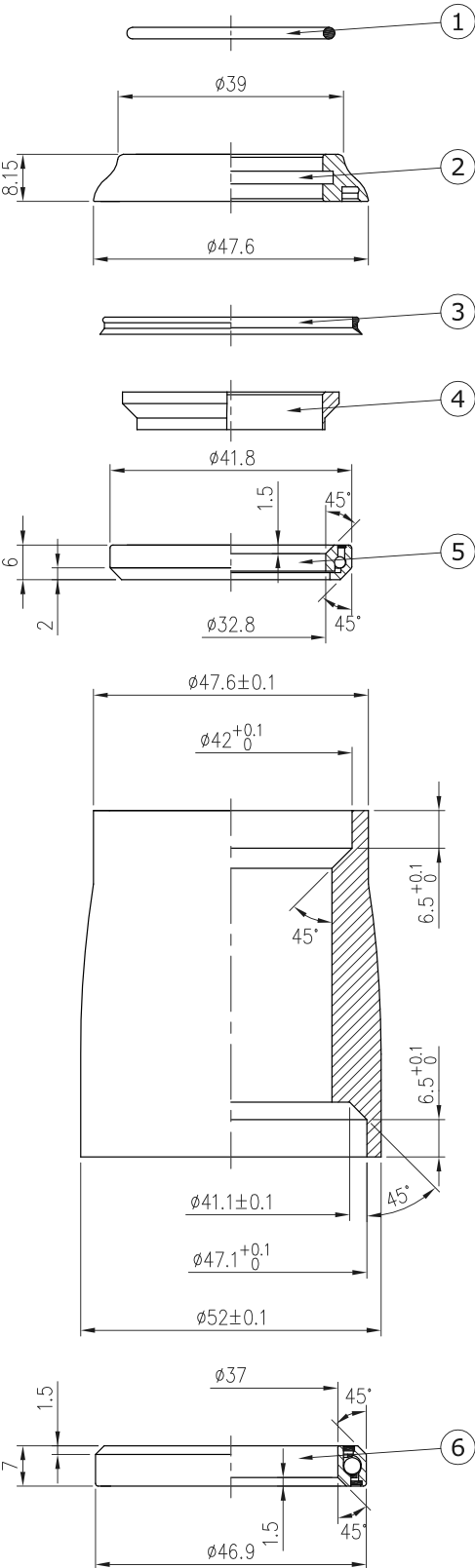


Integrated Headset (CA)

NO.54

1-1/4", 45° / 45° ACB



Stack Height 8.4



Weight - 55 grams

- New bearing design matches Overdrive headsets system
- For tapered 47.6mm / 52mm OD head tube.
- For 1-1/4" steerer
- Alloy top cover
- Campy Angular Contact Bearing (Black seal)

No	Item No	Material	Qty
⑥	MR137	Chrome steel	1SET
⑤	MR136	Chrome steel	1SET
④	H2289{NO.51,54-2}	Alloy	1PCS
③	MS100	Steel w/ rubber sealed	1PCS
②	H2291{NO.54-2}	Alloy	1PCS
①	MS230{NO.51}	Rubber	1PCS

